

Encasement Ltd  
t: +44 (0)1733 266 889  
e: sales@encasement.co.uk  
w: www.encasement.co.uk

standard specification detail:

type:  
pre-formed plywood boiler pipe  
work casing

ref: Boiler pipe work casing

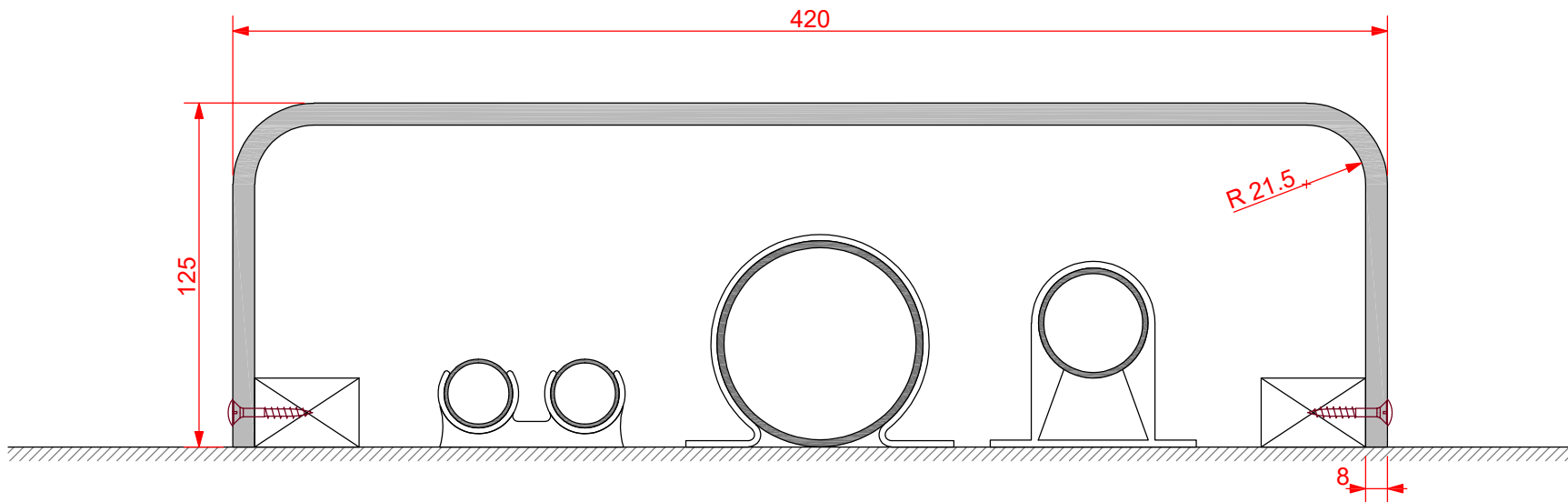
thickness: 8mm

length: 495, 2500 or 3000mm

finish: white melamine

joint detail: N/A

accessories: screws & white caps



detail:

**Boiler Pipe Work Casing**  
125/420/125mm

date:  
**JAN 2013**

drawn by:  
**AW**

scale:  
**1:2.5**

paper size:  
**A4**

drawing no:

**Boiler Pipework Casing**  
125\_420\_125.DWG