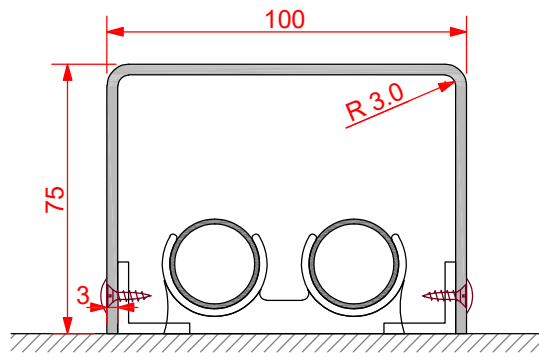


Encasement Ltd
t: +44 (0)1733 266 889
e: sales@encasement.co.uk
w: www.encasement.co.uk

standard specification detail:
type:
pre-formed aluminium pipe boxing
ref: Arma
thickness: 3mm / 5mm
length: 2400mm
finish: polyester powder coated (PPC) or anodised options
joint detail: N/A
accessories: mechanical tamper proof fixings are recommended and suitable fasteners should be sourced separately



Approx. internal working space:
94 x 72

detail:
Arma External Pipe Protection
75/100/75mm

date:
JAN 2013

drawn by:
AW

scale:
1:2

paper size:
A4

drawing no:
Arma 75_100_75.DWG