

Encasement Ltd
t: +44 (0)1733 266 889
e: sales@encasement.co.uk
w: www.encasement.co.uk

standard specification detail:

type:
pre-formed aluminium pipe boxing

ref: Arma

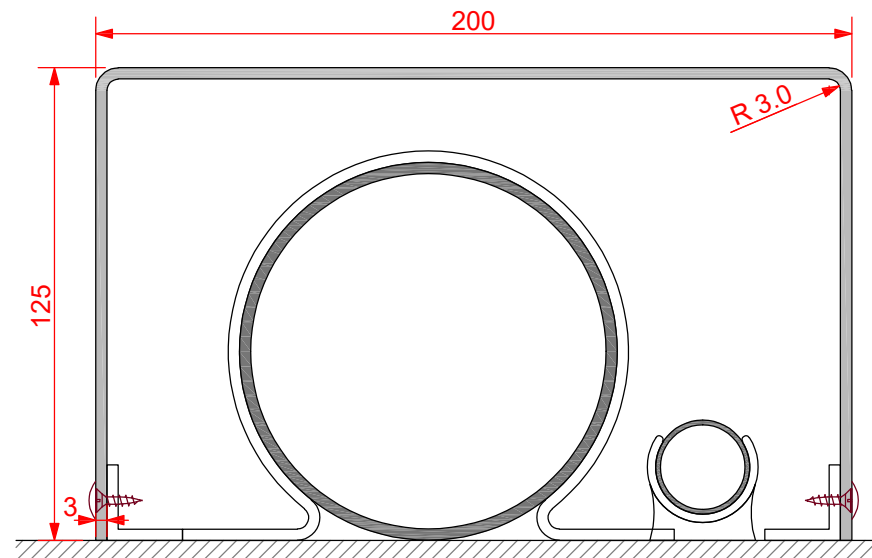
thickness: 3mm / 5mm

length: 2400mm

finish: polyester powder coated
(PPC) or anodised options

joint detail: N/A

accessories: mechanical tamper
proof fixings are recommended and
suitable fasteners should be
sourced separately



Approx. internal
working space:
194 x 119

detail:

**Arma External
Pipe Protection
125/200/125mm**

date:

JAN 2013

drawn by:

AW

scale:

1:2

paper size:

A4

drawing no:

Arma 125_200_125.DWG