

Encasement Ltd  
t: +44 (0)1733 266 889  
e: sales@encasement.co.uk  
w: www.encasement.co.uk

standard specification detail:

type:  
pre-formed aluminium pipe boxing

ref: Arma

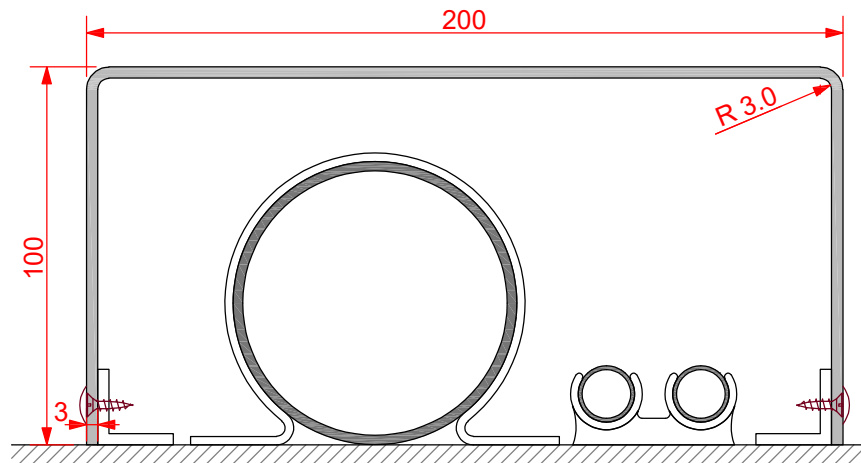
thickness: 3mm / 5mm

length: 2400mm

finish: polyester powder coated  
(PPC) or anodised options

joint detail: N/A

accessories: mechanical tamper  
proof fixings are recommended and  
suitable fasteners should be  
sourced separately



Approx. internal  
working space:  
194 x 97

detail:

**Arma External  
Pipe Protection  
100/200/100mm**

date:  
**JAN 2013**

drawn by:  
**AW**

scale:  
**1:2**

paper size:  
**A4**

drawing no:

**Arma 100\_200\_100.DWG**