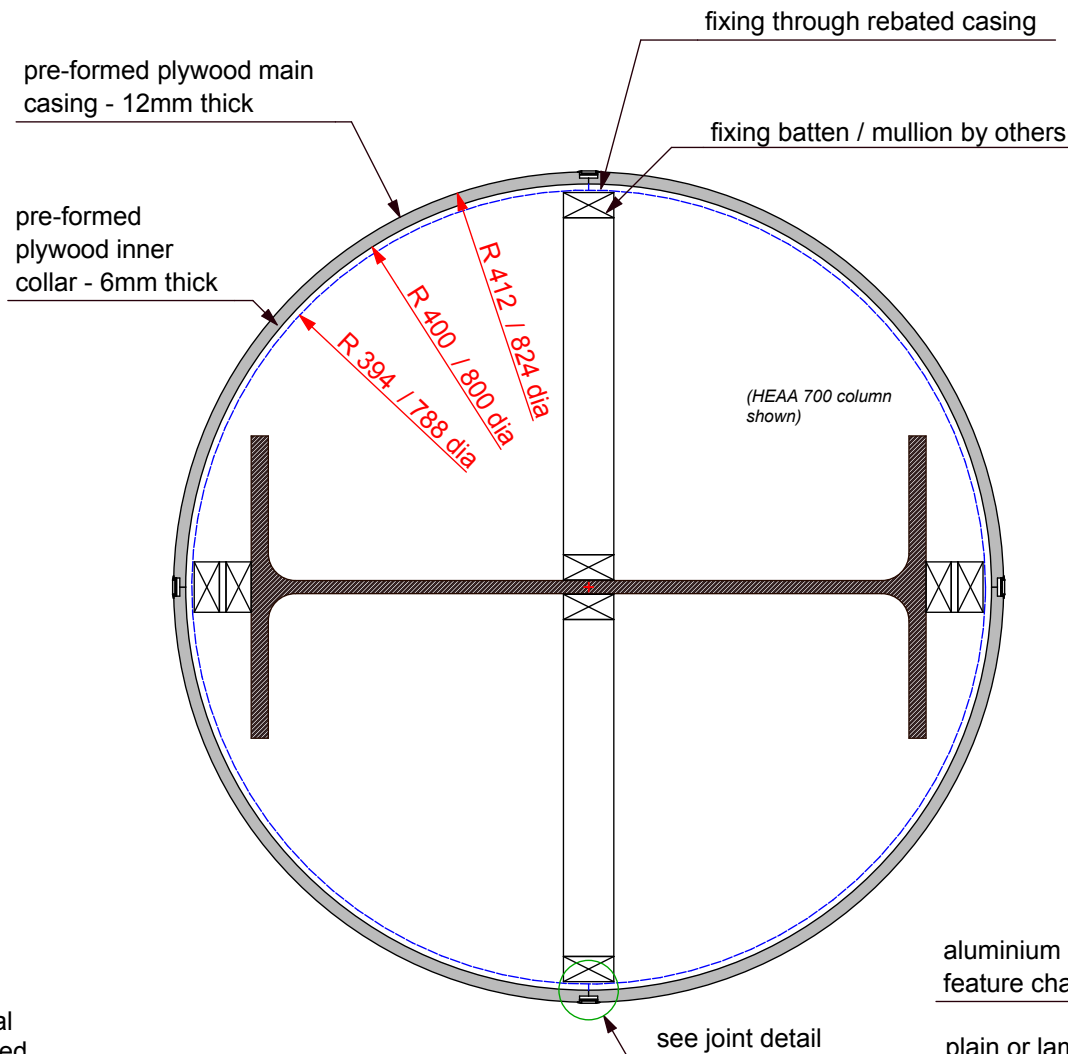
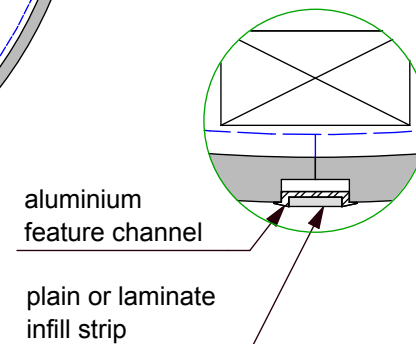


ELEVATION
scale 1:25



PLAN
scale 1:7.5



JOINT DETAIL
scale 1:2

Encasement Ltd
Peartree Business Centre
Enterprise Way, Bretton, Peterborough
Cambridgeshire PE3 8YQ
t: +44 (0)1733 266 889
f: +44 (0)1733 268 999
w: www.encasement.co.uk

standard specification detail:

type: pre-formed plywood casings

ref: circa

thickness: 12mm

length: upto 3m in a single piece

finish: lederex (paint grade) / hpl /
cpl (laminated)

sustainability: FSC certified with full
chain of custody

joint detail: aluminium feature
extrusion channel

accessories: optional optional
recessed feature collars to head and
/ or skirting / framework system /
socket patresses / rolled aluminium
horizontal feature joints

detail:

**CIRCA 800mm
DIAMETER**

date:
AUG 2016

drawn by:
AW

scale:
as shown

paper size:
A4

drawing no:
**COLUMN CASINGS
CIRCA 800mm DIA.
DWG**