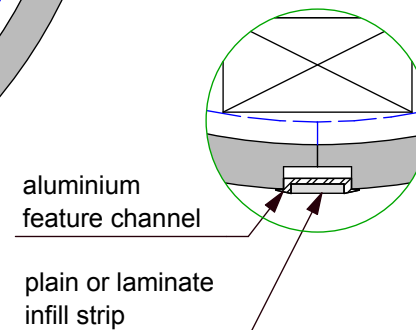


ELEVATION
scale 1:25

PLAN
scale 1:2.5



JOINT DETAIL
scale 1:2

Encasement Ltd
Peartree Business Centre
Enterprise Way, Bretton, Peterborough
Cambridgeshire PE3 8YQ
t: +44 (0)1733 266 889
f: +44 (0)1733 268 999
w: www.encasement.co.uk

standard specification detail:
type: pre-formed plywood casings
ref: circa
thickness: 12mm
length: upto 3m in a single piece
finish: lederex (paint grade) / hpl / cpl (laminata)
sustainability: FSC certified with full chain of custody
joint detail: aluminium feature extrusion channel
accessories: optional optional recessed feature collars to head and / or skirting / framework system / socket patresses / rolled aluminium horizontal feature joints

detail:
CIRCA 300mm DIAMETER

date: **AUG 2016** drawn by: **AW**

scale: **as shown** paper size: **A4**

drawing no:
**COLUMN CASINGS
CIRCA 300mm DIA.
DWG**