

Encasement Ltd
Peartree Business Centre
Enterprise Way, Bretton, Peterborough
Cambridgeshire PE3 8YQ
t: +44 (0)1733 266 889
f: +44 (0)1733 268 999
w: www.encasement.co.uk

standard specification detail:

type: aluminium / stainless steel / mild steel casings

ref: forma

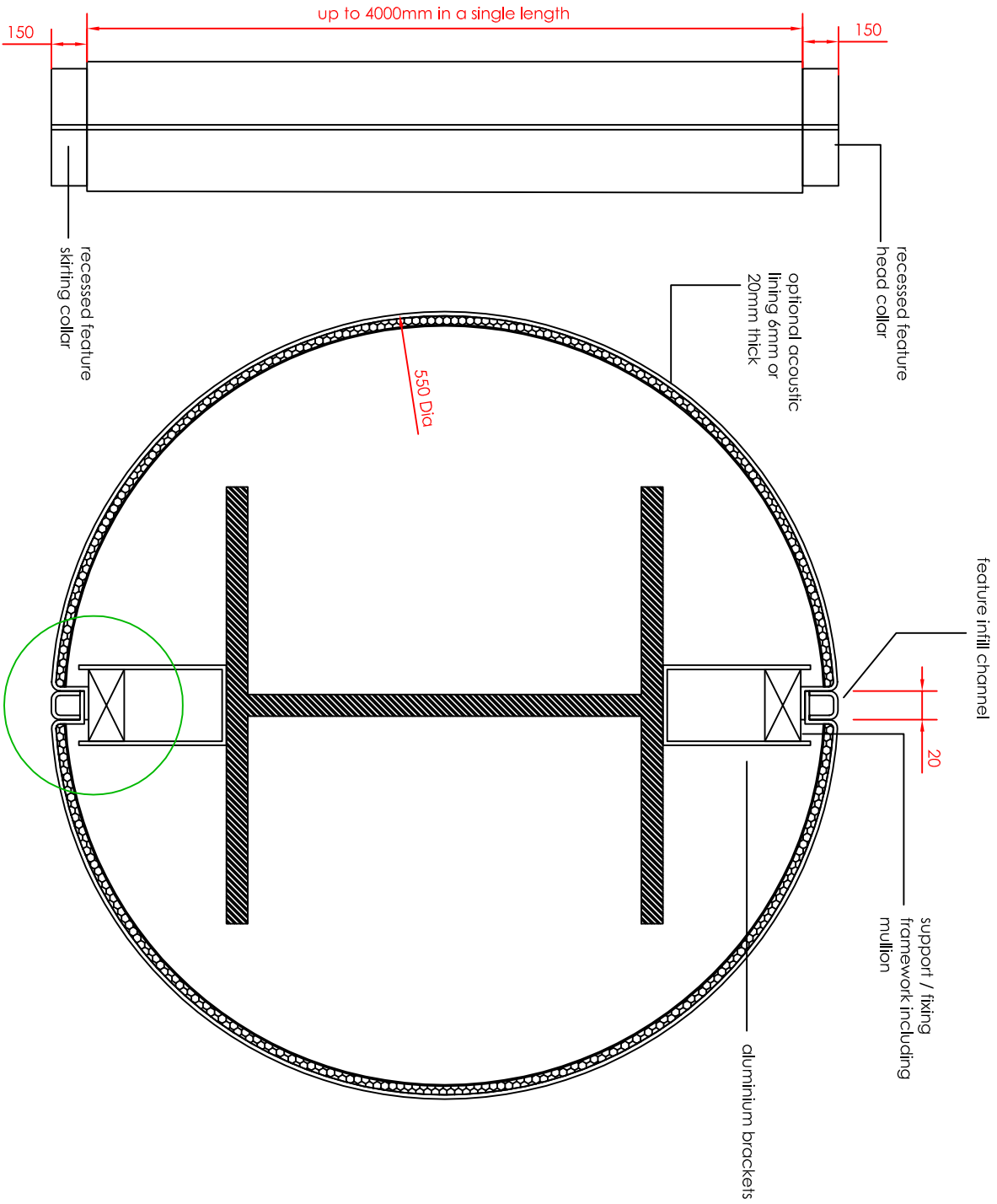
thickness: 2mm

length: upto 4m in a single piece

finish: polyester powder coated / anodised / polished

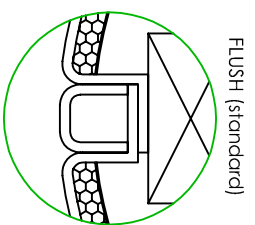
joint detail: feature infill channel

accessories: optional recessed feature collars to head and / or skirting, internal stiffening braces, acoustic lining, framework system, access hatches, perforations, laser cutting

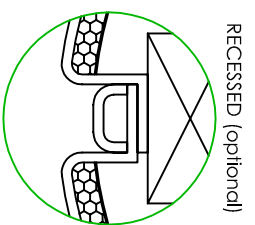


ELEVATION

EXPLODED PLAN



FLUSH (standard)



RECESSED (optional)

JOINT OPTIONS

detail:
FORMA 550mm
DIAMETER

date:
JAN 2012

drawn by:
GB

scale:
NTS

paper size:
A4

drawing no.:
COLUMN CASINGS
FORMA 550mm DIA'
.PDF